

Spare Parts List for **Bishamon Skid Lifter**

Manually Operated Model - 500 kg. Capacity

Model LV50NSS•50SS•50N•50•LV50W

(For the units produced after July 1999)

(No Pricing Shown)



LV50

Contents

Skid Lifter - Model No. and Type	Page
Manually Operated Model	
• 500 kg (LV50NSS) Fork Size - 460 x 810mm	
• 500 kg (LV50SS) Fork Size - 520 x 810mm	
• 500 kg (LV50N) Fork Size - 460 x 1080mm	
• 500 kg (LV50) Fork Size - 520 x 1080mm	
• 500 kg (LV50W) Fork Size - 685 x 1080mm	
1) Frame	2 ~ 3
2) Cylinder	4 ~ 7
Option	8 ~ 9

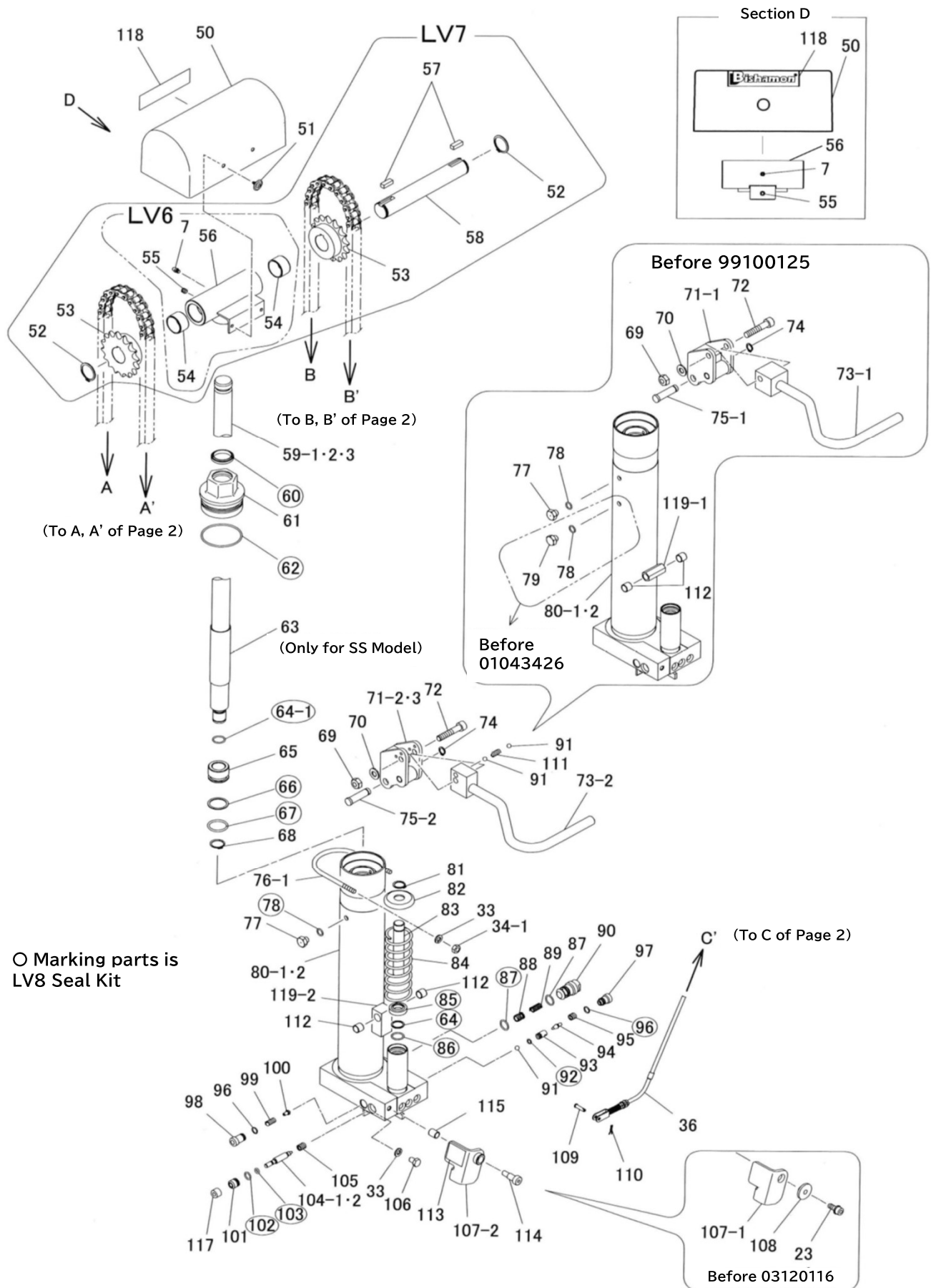
Frame

LV50 (After July 1999)

Ill. No.	Parts No.	Parts Name	Standard	Note & Change Date Info.	Qty/Unit					Price/ea.
					50	50SS	50W	50N	50NSS	
LV1	02631460	Guide Roller B Assy	6 · 38		2	2	2	2	2	
LV2	02585080	Front Wheel Assy	15X2 · 16X2 · 17		2	2	2	2	2	
LV3	02585250	Guide Roller A Assy	5 · 13		2	2	2	2	2	
LV10-1	76005140	Handle Guard Plate Assy	27-1 · 28-2 · 35	Width-520 (250X476)	1	1				
LV10-2	76005160	Handle Guard Plate Assy	27-2 · 28-2 · 35	Width-685 (250X641)			1			
LV10-3	76005520	Handle Guard Plate Assy	27-3 · 28-2 · 35	Width-460 (250X416)				1	1	
1	N/A	Fork (Not available because Fork is structural parts)			1	1	1	1	1	N/A
2	70832043	Roller Chain	RS50-43L + Joint Link (2L)		2	2	2	2	2	
3	80839301	Joint Link	RS50		4	4	4	4	4	
4	80845011	Snap Ring	RR020		4	4	4	4	4	
5	N/A	Metal Bushing		Replace with LV3	2	2	2	2	2	N/A
6	N/A	Guide Roller B		Replace with LV1	2	2	2	2	2	N/A
7	80827006	Grease Fitting	GNAM6X0. 75		6	6	6	6	6	
8	N/A	I & O Link			1	1	1	1	1	N/A
9	90980540	Roll Pin	SRP0540		4	4	4	4	4	
10	12585470	Link Metal Bushing A			4	4	4	4	4	
11	12585210	Link Support Pin			4	4	4	4	4	
12	80826996	Grease Fitting	GNASM6X0. 75		2	2	2	2	2	
13	N/A	Guide Roller A		Replace with LV3	2	2	2	2	2	N/A
14	80827016	Grease Fitting	GNBM6X0. 75		2	2	2	2	2	
15	12604680	Pulley Shaft Collar			4	4	4	4	4	
16	81046004	Bearing	6004ZZ		4	4	4	4	4	
17	N/A	Front Wheel	V70X73	Replace with LV2	2	2	2	2	2	N/A
18	12590280	Front Wheel Shaft	L=107mm		2	2	2	2	2	
19	90980530	Roll Pin	SRP0530		2	2	2	2	2	
20	N/A	Frame (Not available because Frame is structural parts)			1	1	1	1	1	N/A
21	52585210	Load Diagram Label			1	1	1	1	1	
23	90760820	Hex Socket Head Cap Bolt	HSBS0820		2	2	2	2	2	
24	85000976	Flexible Caster	150UWJS	Old and New Compatible	1	1	1	1	1	
25	85000971	Flexible Caster	150UWJSB	Old and New Compatible	1	1	1	1	1	
26	80821824	Scrivet	3820		4	4	4	4	4	
27-1	N/A	Handle Guard Plate	520 Width (250X476)	Replace with LV10-1	1	1				N/A
27-2	N/A	Handle Guard Plate	685 Width (250X641)	Replace with LV10-2			1			N/A
27-3	N/A	Handle Guard Plate	460 Width (250X416)	Replace with LV10-3				1	1	N/A
28-1	N/A	Capacity Label	with Bishamon Logo	Before 06010104 Replace with 28-2	1	1	1	1	1	N/A
28-2	52605200	Capacity Label	After 06010105		1	1	1	1	1	
29	12003943	Control Lever			1	1	1	1	1	
30	90980622	Roll Pin	SRP0622		1	1	1	1	1	
31	90980514	Roll Pin	SRP0514		1	1	1	1	1	
32-1	02585062	Handle	520 Width		1	1				
32-2	02586063	Handle	685 Width				1			
32-3	02587061	Handle	460 Width					1	1	
33	90930508	Spring Washer	SW08SE		4	4	4	4	4	
34	90931508	Hex Nut Sealed	HN08SE	Old and New Compatible	4	4	4	4	4	
35	52585200	Caution Label	(English)		1	1	1	1	1	
35	52585300	Caution Label	(French)		1	1	1	1	1	
35	52585320	Caution Label	(German)		1	1	1	1	1	
36-1	52585260	Control Cable Assy	520 · 460 Width		1	1		1	1	
36-2	52586260	Control Cable Assy	685 Width				1			
37	80821859	Rectangular Cap	B176	After 05090432	2					
				After 05090338		2				
				After 05090433			2			
				After 05091188				2		
				After 05090431						2
38	81772020	Dry LF Bearing	LFB-2020		2	2	2	2	2	

LV50 (After July 1999)

Cylinder



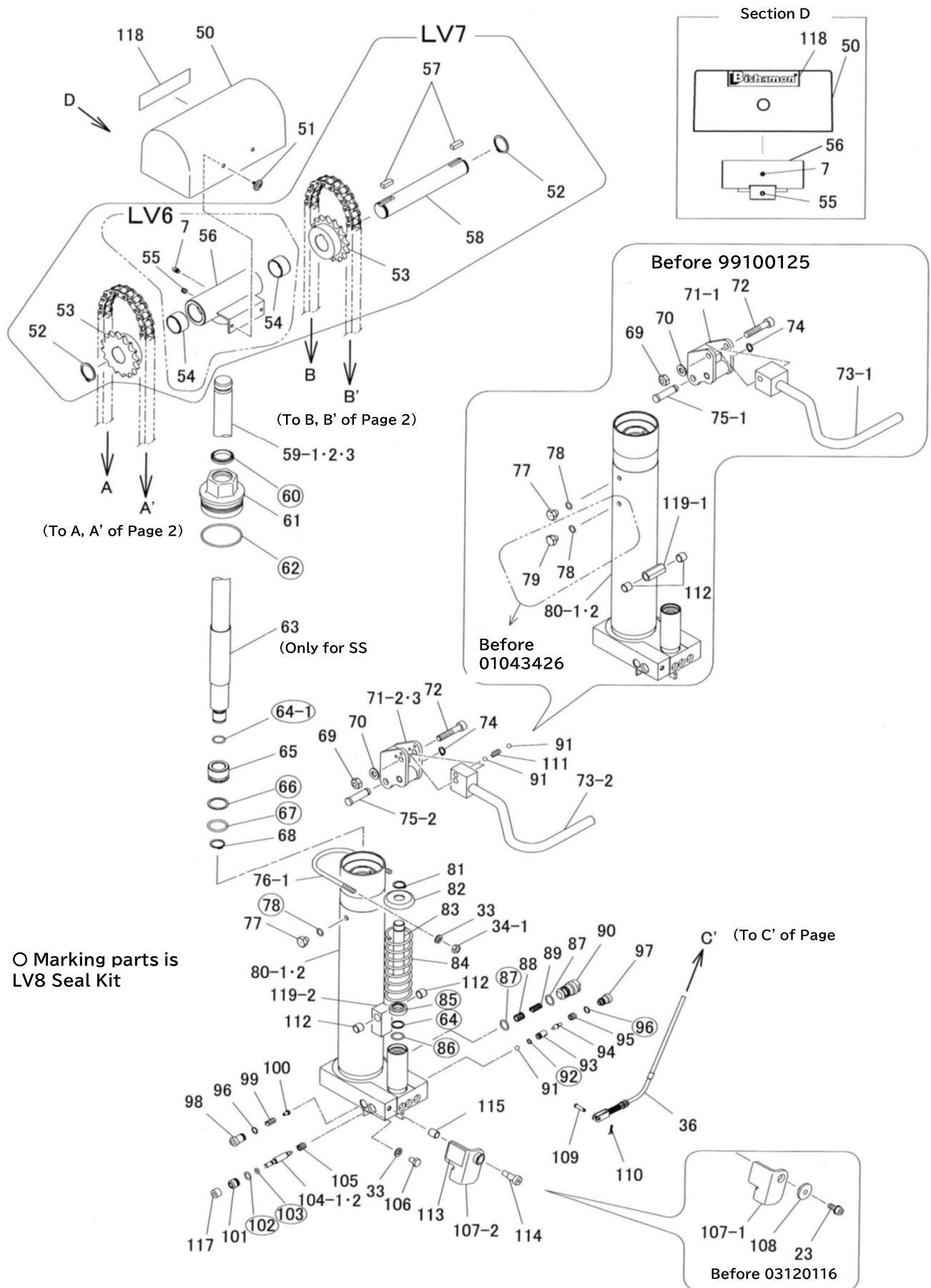
Cylinder

LV50 (After July 1999)

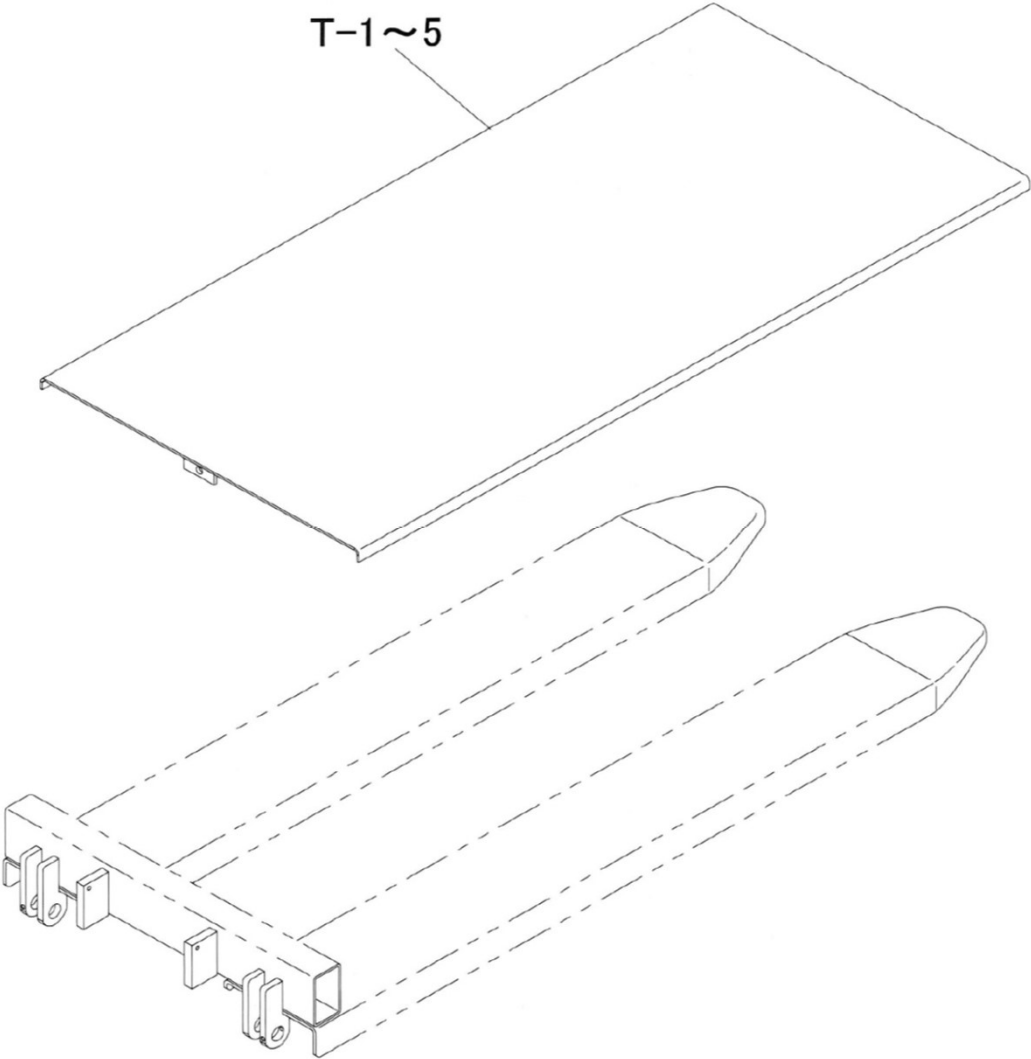
Ill.No.	Parts No.	Parts Name	Standard	Note & Change Date Info.	Qty/Unit					Price/ea.
					50	50SS	50W	50N	50NSS	
LV5-1	02585502	Cylinder Assy	59-2~62·64-1~75·77~105·111·112·117		1		1	1		
LV5-2	02584502	Cylinder Assy	59-3~75·77~105·111·112·117			1			1	
LV6	76005060	Chain Bracket Assy	7·54~56		1	1	1	1	1	
LV7	76005080	Chain Bracket & Sprocket Assy	7·52~58		1	1	1	1	1	
LV8	76005040	Seal Kit	60·62·64-1·66·67·78·85~87·92·96·102·103		1	1	1	1	1	
7	80827006	Grease Fitting	GNAM6X0.75		1	1	1	1	1	
23	90760820	Hex Socket Head Cap Bolt	HSBS0820		1	1	1	1	1	
33	90930508	Spring Washer	SW08SE		4	4	4	4	4	
34-1	90930108	Hex Nut	HN08SE		2	2	2	2	2	
50	52585811	Sprocket Cover	Color-Black		1	1	1	1	1	
51	80821833	Scrivet	2658		2	2	2	2	2	
52	80845019	Snap Ring	RR030		2	2	2	2	2	
53	12585810	Chain Wheel			2	2	2	2	2	
54	81703020	Dry Bushing	70B-3020		2	2	2	2	2	
55	90960808	Hex Socket Head Cap Screw	HSS0808		1	1	1	1	1	
56	02585720	Chain Bracket			1	1	1	1	1	
57	12585840	Parallel Key			2	2	2	2	2	
58	12585830	Chain Wheel Shaft			1	1	1	1	1	
59-1	12585660	Piston Rod	L=514mm	Before Jan. 2000	1	1	1	1	1	
59-2	12585661	Piston Rod	L=510mm	Feb.2000~00093219	1	1	1	1	1	
59-2	12585661	Piston Rod	L=510mm Except 50SS	After 00093220	1		1	1		
59-3	12584660	Piston Rod	L=400mm Only 50SS	After 00093220		1			1	
60	80803030	Dust Seal	SDR-30		1	1	1	1	1	
61	12606152	Top Nut			1	1	1	1	1	
62	80800129	O Ring	G65		1	1	1	1	1	
63	12584670	Piston Spacer		After 00093220		1			1	
64-1	80800017	O Ring	P18		2	2	2	2	2	
65	12606120	Piston			1	1	1	1	1	
66	80806029	Back Up Ring	P29-B		1	1	1	1	1	
67	80800028	O Ring	P29		1	1	1	1	1	
68	80845013	Snap Ring	RR022		1	1	1	1	1	
69	90932710	Hex Nut	HUN10SE		1	1	1	1	1	
70	90930710	Flat Washer	PW10SE		1	1	1	1	1	
71-1	N/A	Pedal Bracket	Before 99100125		1	1	1	1	1	N/A
71-2	N/A	Pedal Bracket	99100126~Jan.2000		1	1	1	1	1	N/A
71-3	02585552	Pedal Bracket	After Feb.2000		1	1	1	1	1	
72-1	90921065	Hex Socket Head Cap Bolt	HSB1065	Before 99100125	1	1	1	1	1	
72-2	90921050	Hex Socket Head Cap Bolt	HSB1050	After 99100126	1	1	1	1	1	
73-1	N/A	Pedal Arm	Before 99100125		1	1	1	1	1	N/A
73-2	02585541	Pedal Arm	After 99100126		1	1	1	1	1	
74	80845003	Snap Ring	RR012		1	1	1	1	1	
75-1	12604471	Handle Bracket Pin	Before 99100125		1	1	1	1	1	
75-2	12616801	Piston Head Pin	After 99100126		1	1	1	1	1	
76-1	12585710	Cylinder Holder			1	1	1	1	1	
77	12604330	Air Breather			1	1	1	1	1	
78	80800260	O Ring	9.5X3 Qty was changed after 01043427		2→1					
79	12003533	Plug	Before 01043426 Deleted after 01043427		1	1	1	1	1	
80-1	N/A	Cylinder		Replace with LV5-1	1		1	1		N/A
80-2	N/A	Cylinder		Replace with LV5-2		1			1	N/A
81	80848009	Snap Ring	RR018		1	1	1	1	1	
82	12003653	Thrust Washer			1	1	1	1	1	
83	12604182	Plunger			1	1	1	1	1	
84	50705660	Pressure Spring			1	1	1	1	1	
85	52003633	Dust Seal	RSD18		1	1	1	1	1	
86	80806018	Back Up Ring	P18-B		1	1	1	1	1	
87	80800516	O Ring	P16-1B		2	2	2	2	2	
88	12611630	Flow Control Spool			1	1	1	1	1	
89	52611200	Flow Control Spring			1	1	1	1	1	
90	11501320	Flow Control Housing			1	1	1	1	1	

LV50 (After July 1999)

Cylinder



Option



Bishamon



Sugiyasu Corporation

3-21, 4-Chome, Hongo-Cho, Takahama City,
Aichi, Japan 444-1394

Tel. 81-566-53-1126, Fax. 81-566-53-1844
<http://www.bishamon.co.jp/>